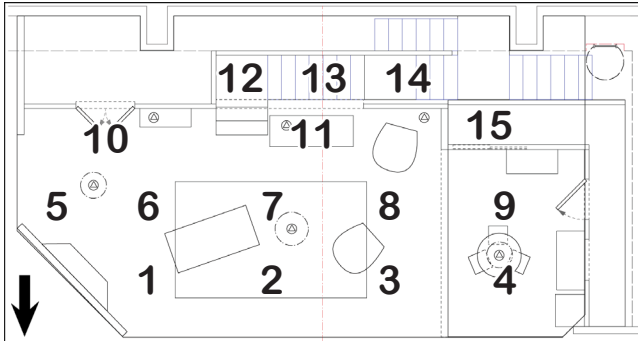


The Piano Lesson Magic Sheet

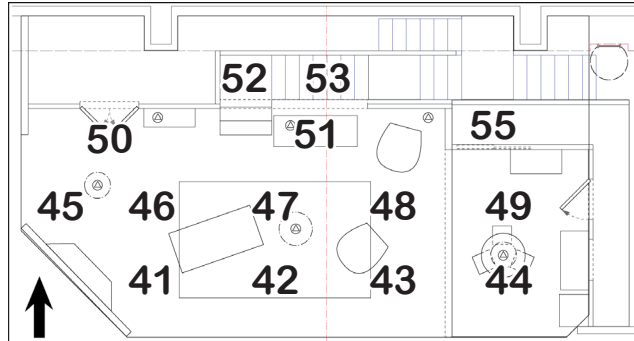
Top Cool

R69 - Group 1



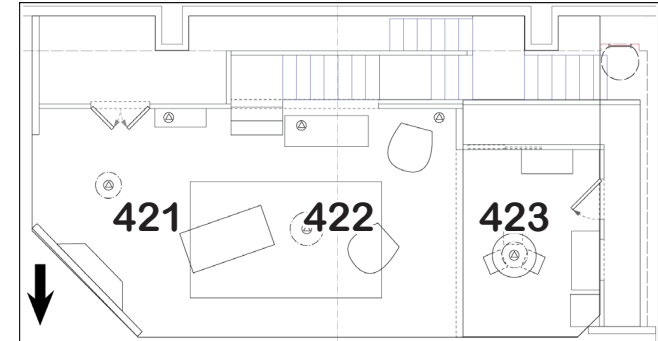
Front Cool

R60 - Group 3



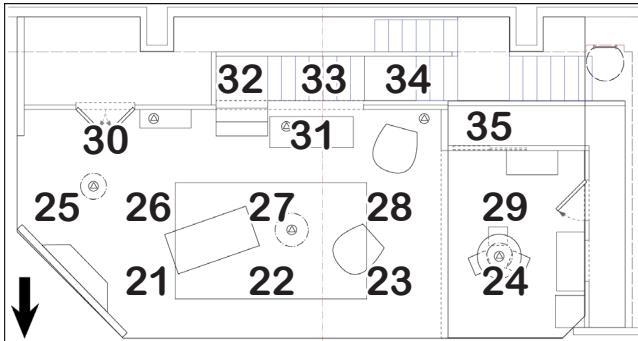
Top Gobo

R55 - Group 9



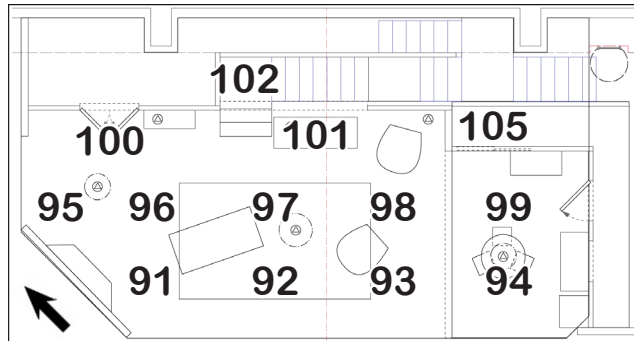
Top Warm

R04 - Group 2



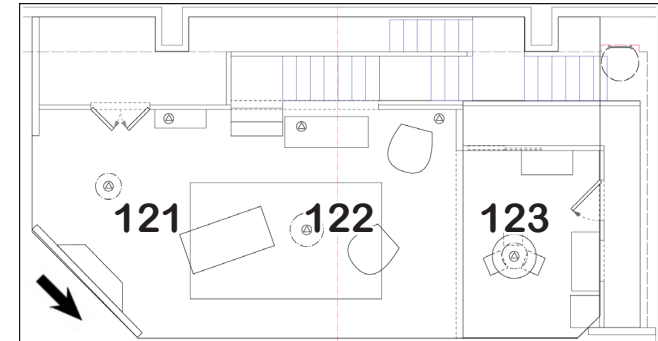
Front Warm

R05 - Group 4



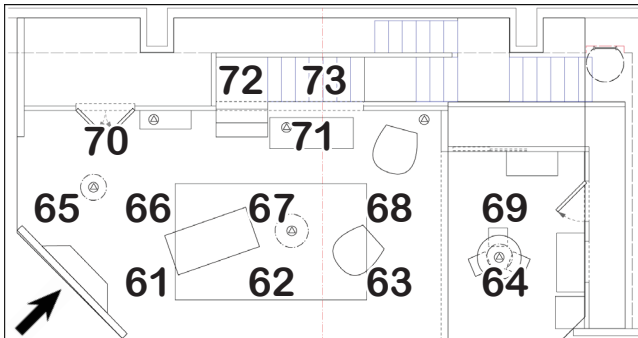
CMY Diag

CMY - Group 8



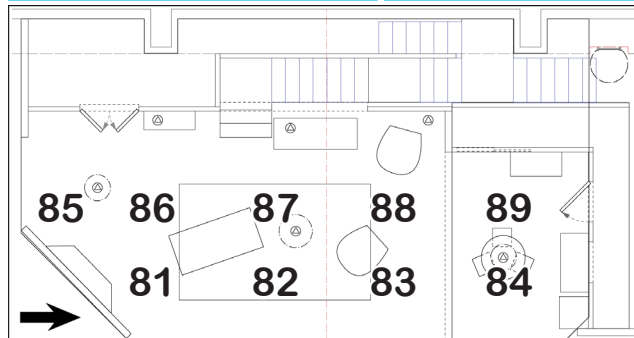
Front CMY

CMY - Group 5



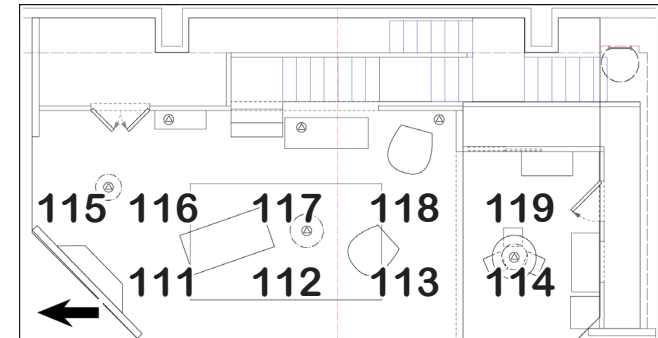
Cool Side

L201 - Group 6



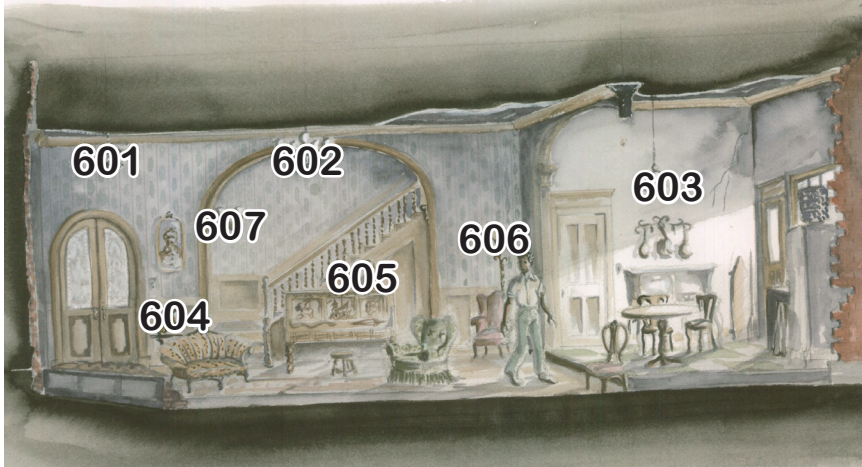
CMY Side

CMY - Group 7



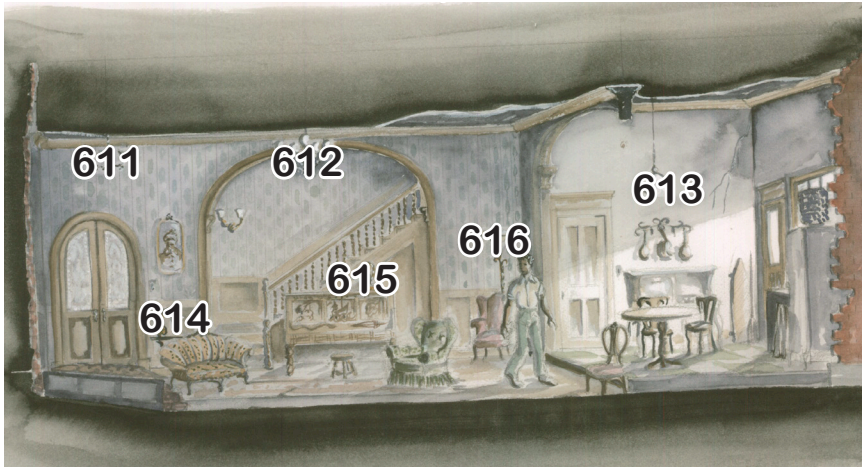
Practical Lamps

Group 10



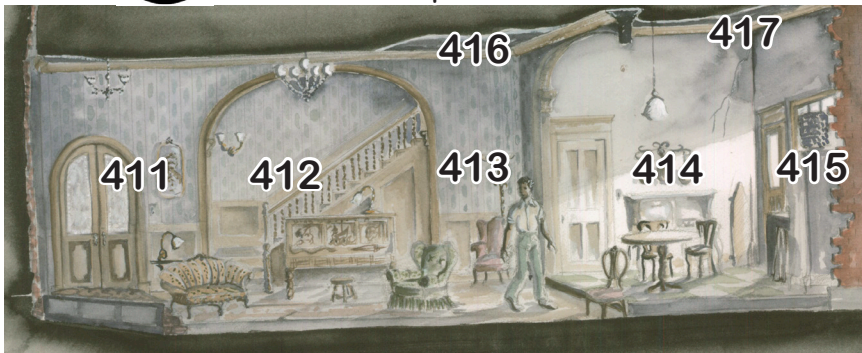
Lamp Enhancement

Group 11



Wall Fills/Textures

Group 12



Low Lav Fills

R51 - Group 13

362 361

Low Indigo

R181 - Group 14

801 802 803 804

Doaker's Room

R60

521 522

Piano

GOBO R353

431 461

Stairs Back

CMY

463

Rug CMY Top

CMY

462

Table Back

R55

432

Ghost Twinkle

433

Martin Mac 2000

702

701

Window Gobo

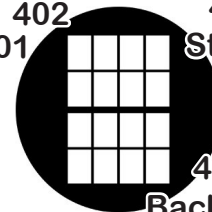
404

402

401

403

Strobe



405

Back Wall

FRONT DOOR

CMY - 501

RAIN - 502

STROBE - 503

DOOR SCRAPE - 504

FILLS - 505/506

ON THE CYC

R80 - 301

L161 - 302

N/C - 304

L181 - 303/306

R21 - 305

KITCHEN WINDOW

RAIN - 551

STROBE - 556

CYC TEXTURES - 552-555

ON THE CYC

R80 - 311

L161 - 312

N/C - 315

L181 - 313/314

R21 - 316

House Lights

901



THEATRE COMPANY

Mike Wood Lighting Design
<http://www.mikewoodld.com>
 mike@mikewoodld.com