

WILL HANG UNITS OFF MID-BRIDGES SR/SL TO LIGHT STARS

KEY TO INSTRUMENTATION

	ETC 54-10°	44
	ETC 54-19°	60
	ETC 54-26°	36
	ETC 54-36°	20
	ETC 54-50°	2
	ETC 54-19° LED Lustr II	1
	ETC 54-26° LED Lustr II	6
	ETC 54-36° LED Lustr II	2
	ETC 54 Par (WFL)	104
	Elation KL Panel	18
	Chauvet R2 Wash	7
	Sharpie	12
	Mac Quantum Wash	20
	Mac Encore Perf CLD	10
	Mac Ultra Perf	21
	L&E MiniStrip	7
	Colorforce II 72	10
	Dalis B64	2

LEGEND

ABBREVIATIONS:

- FOCUS
- COLOR
- FOC CLR
- LENSE
- TEMPLATE
- UNIT #
- ENGINE TYPE
- CHANNEL #

SYMBOLS:

- = Focus
- = Aperture
- △ = Color
- LX = Ground Plan
- TD = Truss Detail
- LD = Lighting Design



REVISION HISTORY

NO.	REVISION	DATE	BY
1	REV1	4/1/24	MS

2026 SHULER AWARDS

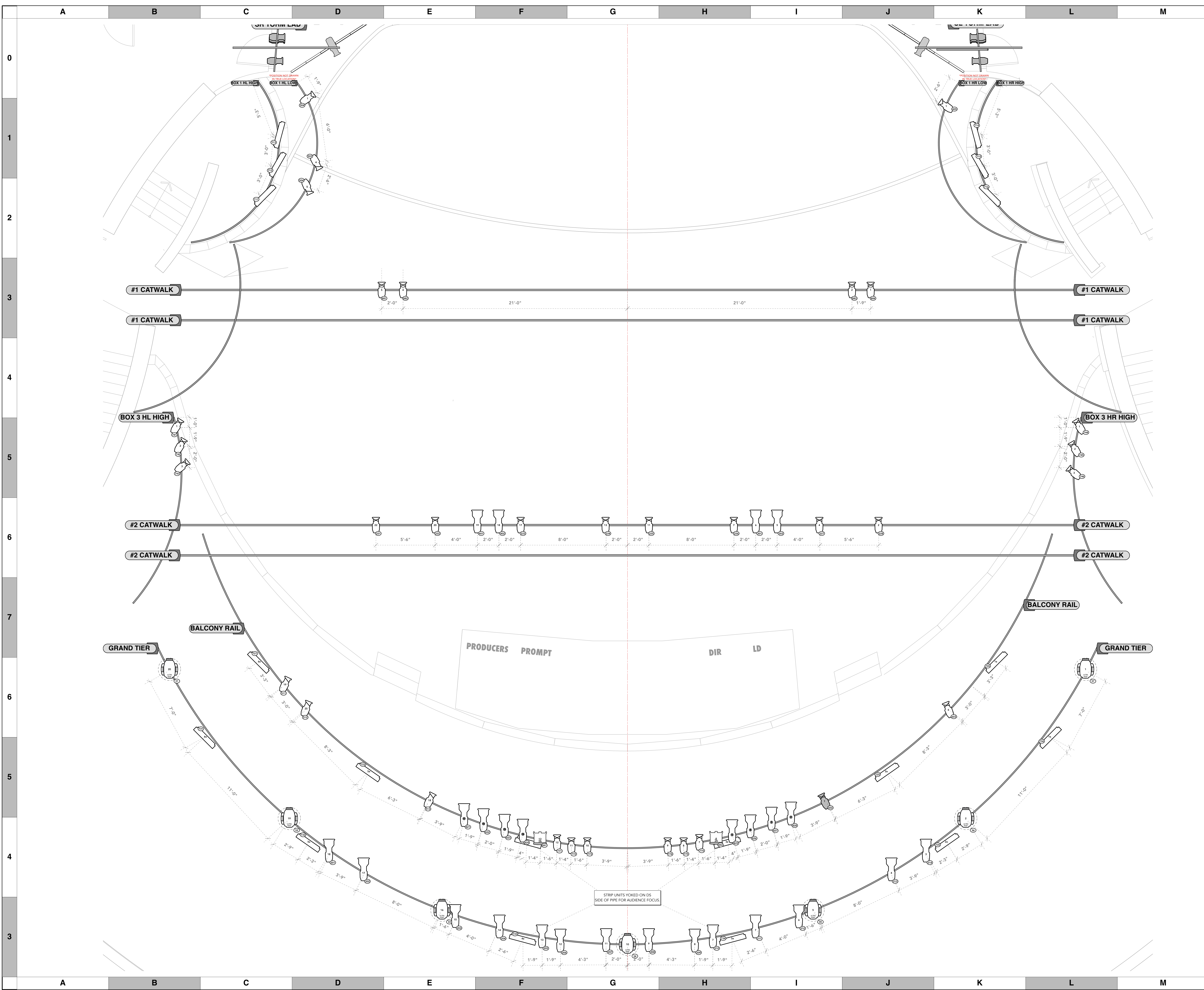
PRODUCTION STAFF

DIRECTOR:
LIGHTING DESIGNER:
SCENIC DESIGNER:
TECHNICAL DIRECTOR:
HEAD ELECTRICIAN:

COBB ENERGY PERFORMING ARTS CENTER
APRIL 2026

SCALE: 1/2" = 1'
PG SIZE: ARCH E
DWG NUMBER: **L01**
OF 3

LIGHT PLOT - OVERHEAD
The Contents



KEY TO INSTRUMENTATION

	ETC 54-10"	44
	ETC 54-19"	60
	ETC 54-26"	36
	ETC 54-36"	20
	ETC 54-50"	2
	ETC 54-19" LED Lustr II	1
	ETC 54-26" LED Lustr II	6
	ETC 54-36" LED Lustr II	2
	ETC 54 Par (WFL)	104
	Elation KL Panel	18
	Chauvet R2 Wash	7
	Sharpys	12
	Mac Quantum Wash	20
	Mac Encore Perf CLD	10
	Mac Ultra Perf	21
	L&E MiniStrip	7
	Colorforce II 72	10
	Dalis B64	2

LEGEND

ABBREVIATIONS:

- FOCUS
- COLOUR
- FOC CLR
- LENSE
- TEMPLATE
- UNIT #
- ENGINE TYPE
- CHANNEL #



REVISION HISTORY

NO.	REVISION	DATE	BY
1	REV 1	4/1/26	MS

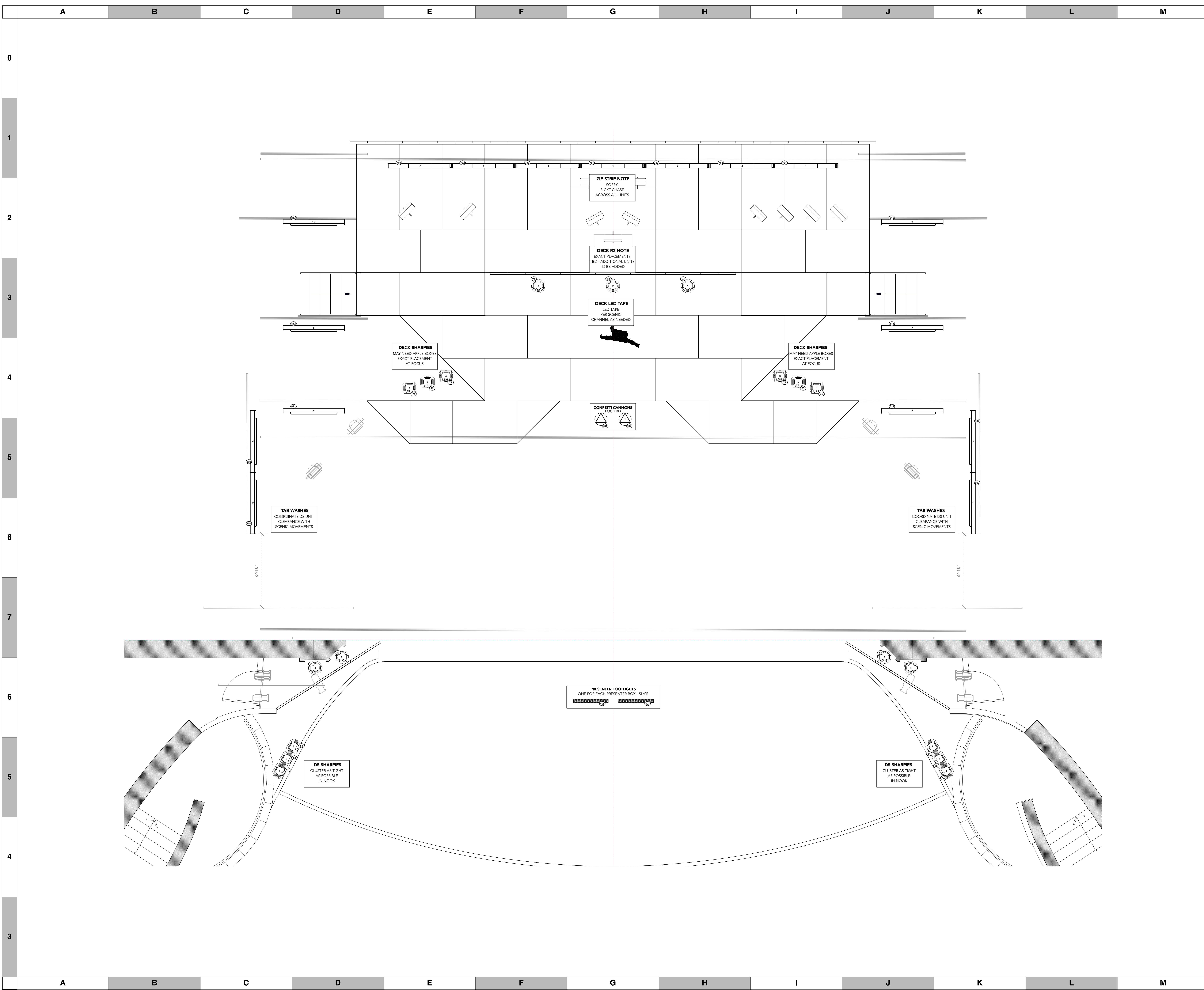
2026 SHULER AWARDS

PRODUCTION STAFF
 DIRECTOR:
 LIGHTING DESIGNER:
 SCENIC DESIGNER:
 TECHNICAL DIRECTOR:
 HEAD ELECTRICIAN:

COBB ENERGY PERFORMING ARTS CENTER
 APRIL 2026

SCALE 3/8" = 1'
 PG SIZE ARCH E
L02
 OF 3

LIGHT PLOT - FOH
 The Contents



KEY TO INSTRUMENTATION

	ETC 54-10"	44
	ETC 54-19"	60
	ETC 54-26"	36
	ETC 54-36"	20
	ETC 54-50"	2
	ETC 54-19" LED Lustr II	1
	ETC 54-26" LED Lustr II	6
	ETC 54-36" LED Lustr II	2
	ETC 54 Par (WFL)	104
	Elation KL Panel	18
	Chauvet R2 Wash	7
	Sharpie	12
	Mac Quantum Wash	20
	Mac Encore Perf CLD	10
	Mac Ultra Perf	21
	L&E MiniStrip	7
	Colorforce II 72	10
	Dalis B64	2

LEGEND

FOCUS	---	FOC
COLOR	---	CLR

ABBREVIATIONS:

- K = KICK
- S = SLOTTED
- A = Apollo
- GP = GROUND PLAN
- LD = LIGHTING DESIGNER
- TD = TECHNICAL DIRECTOR
- LD = LIGHTING DESIGNER

LEGEND (continued):

LENS	---	5
TEMPLATE	---	5
UNIT #	---	5
ENGINE TYPE	---	5
CHANNEL #	---	5



REVISION HISTORY

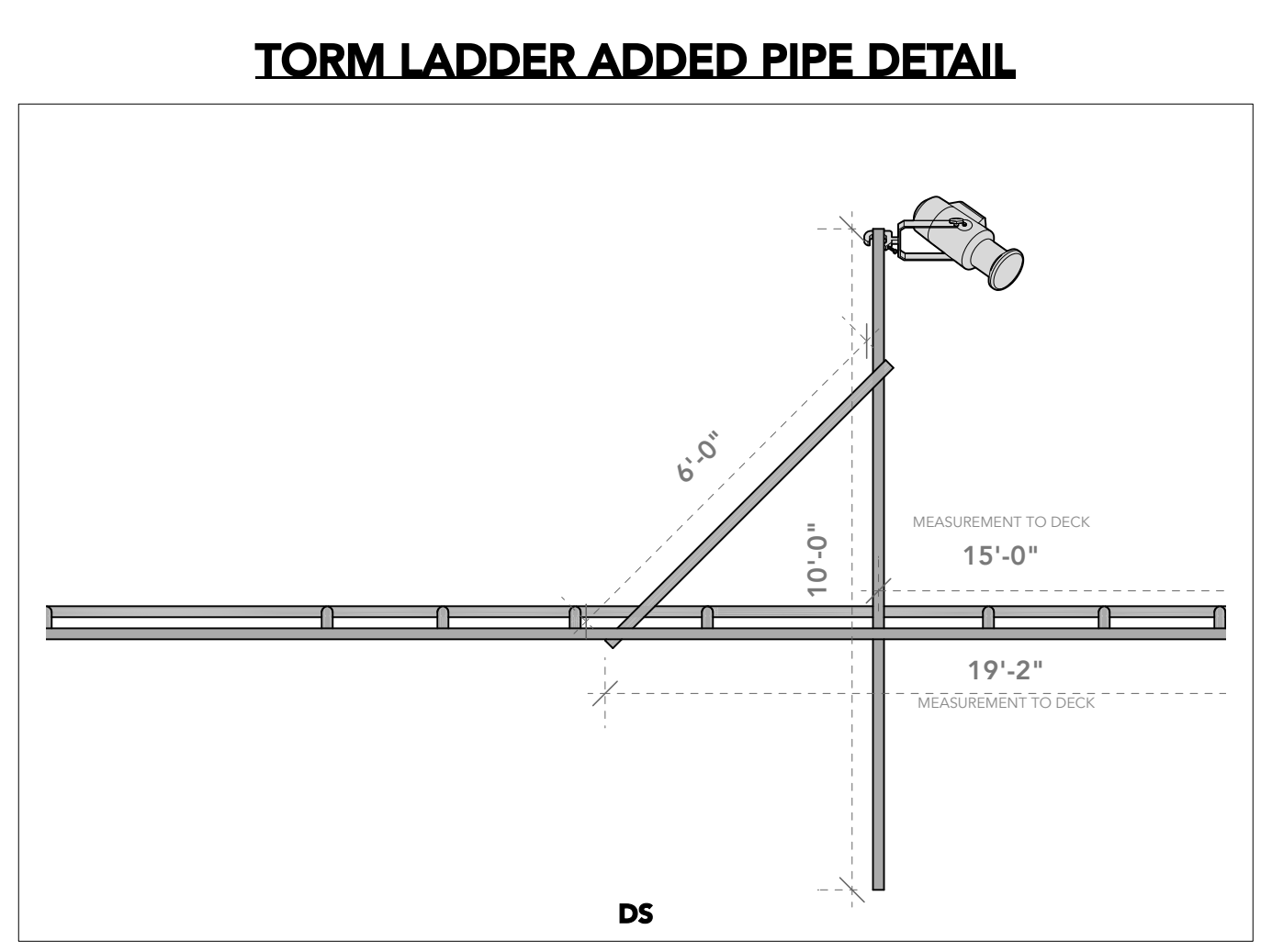
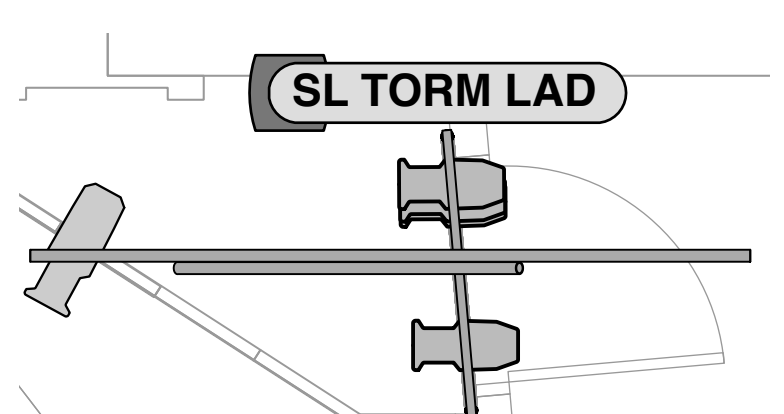
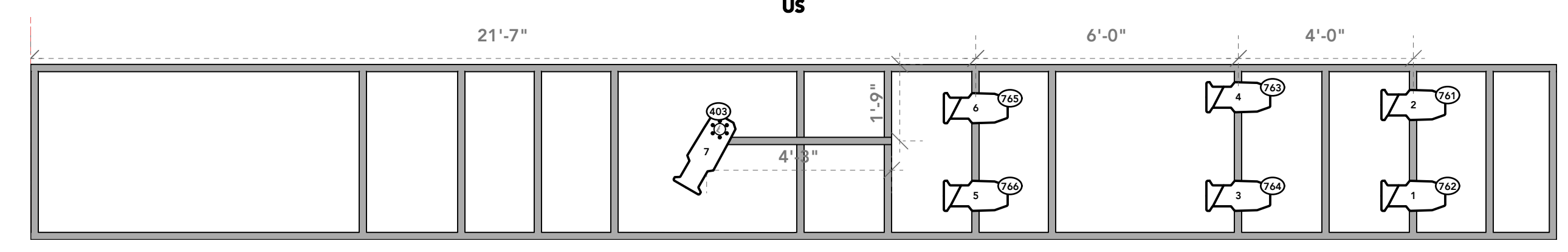
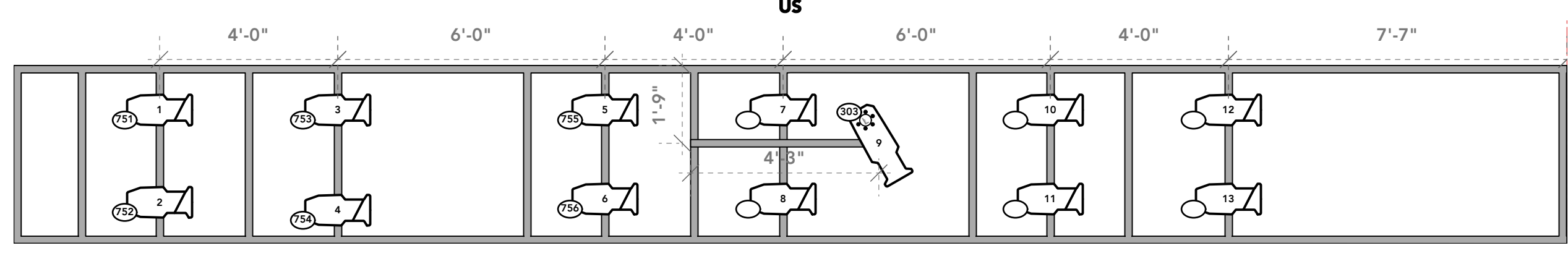
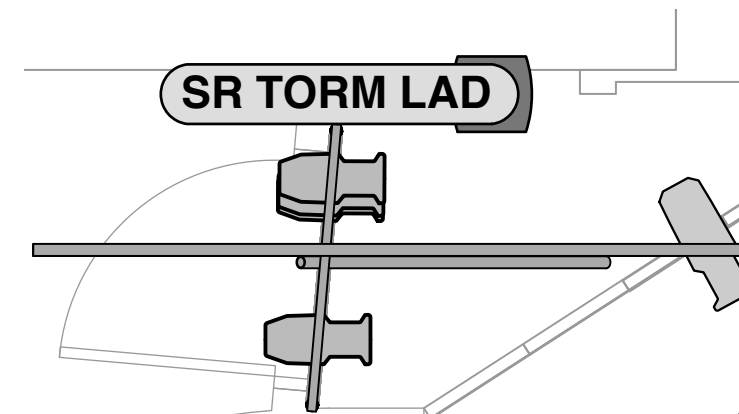
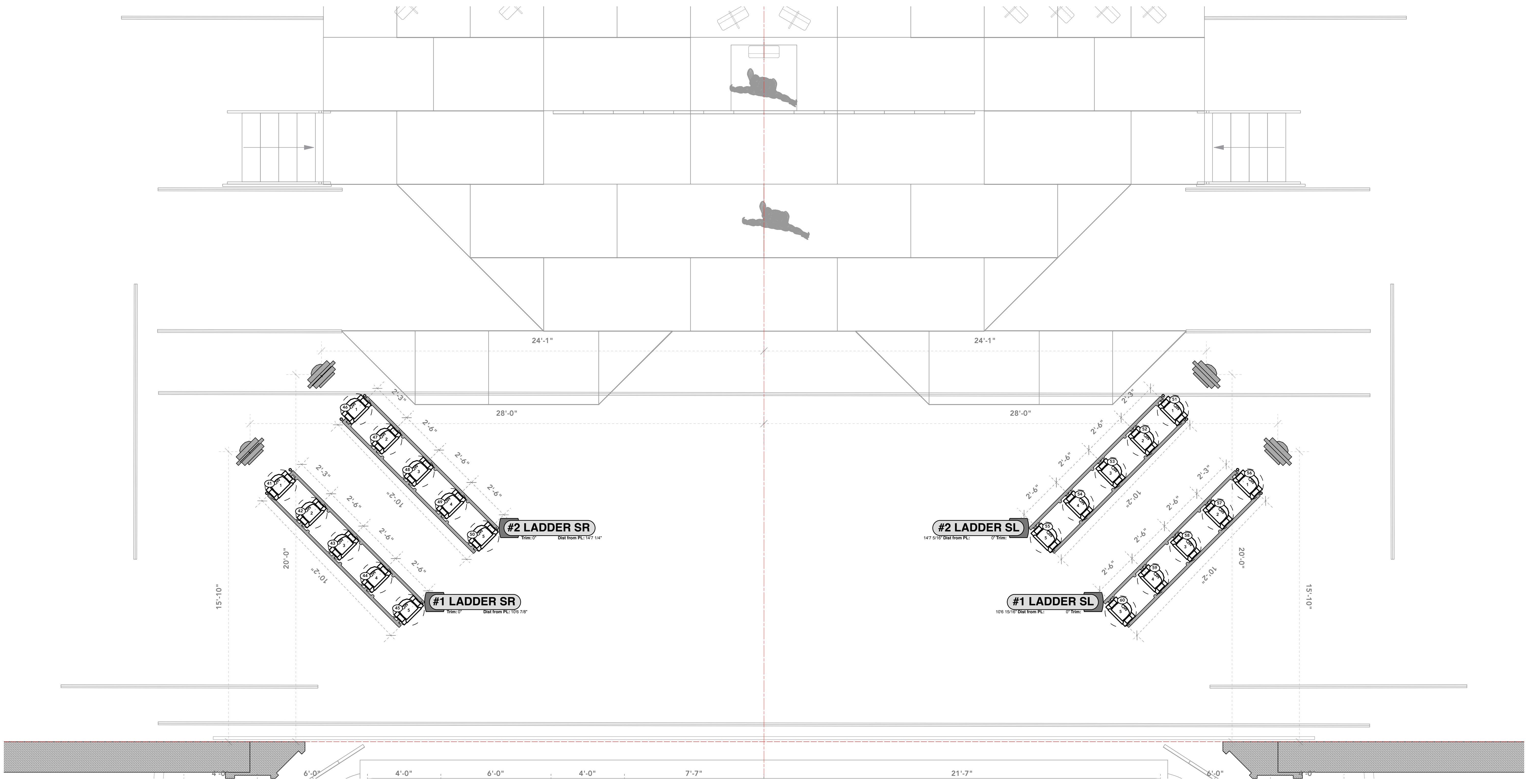
NO.	REVISION	DATE	BY
1	REV 1	4/1/26	MS

2026 SHULER AWARDS

PRODUCTION STAFF
 DIRECTOR:
 LIGHTING DESIGNER:
 SCENIC DESIGNER:
 TECHNICAL DIRECTOR:
 HEAD ELECTRICIAN:
 COBB ENERGY PERFORMING ARTS CENTER
 APRIL 2026

SCALE 3/8" = 1'
 PG SIZE ARCH E
L03
 OF 3

LIGHT PLOT - DECK
 The Contents



KEY TO INSTRUMENTATION

	ETC S4-10°	44
	ETC S4-19°	60
	ETC S4-28°	36
	ETC S4-36°	20
	ETC S4-50°	2
	ETC S4-19° LED Lustr II	1
	ETC S4-28° LED Lustr II	6
	ETC S4-36° LED Lustr II	2
	ETC S4 Par (WFL)	104
	Elation KL Panel	18
	Chauvet R2 Wash	7
	Sharp	12
	Mac Quantum Wash	20
	Mac Encore Perf CLD	10
	Mac Ultra Perf	21
	L&E MiniStrip	7
	Colorforce II 72	10
	Dalis 864	2

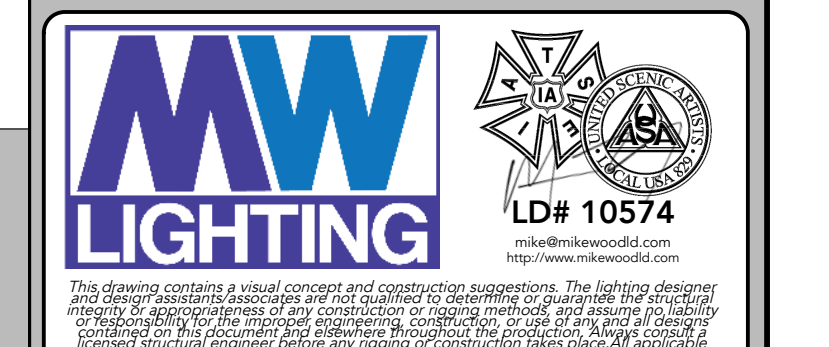
LEGEND

ABBREVIATIONS:

- K = Key
- S = Apolo
- GP = Ground Plan
- LD = Lighting Design

LEGEND

	FOC
	CLR
	LENP
	TEMPLATE
	UNIT #
	ENGINE TYPE
	CHANNEL #



REVISION HISTORY

NO.	REVISION	DATE	BY
1	REV 1	4/28	MS

2026 SHULER AWARDS

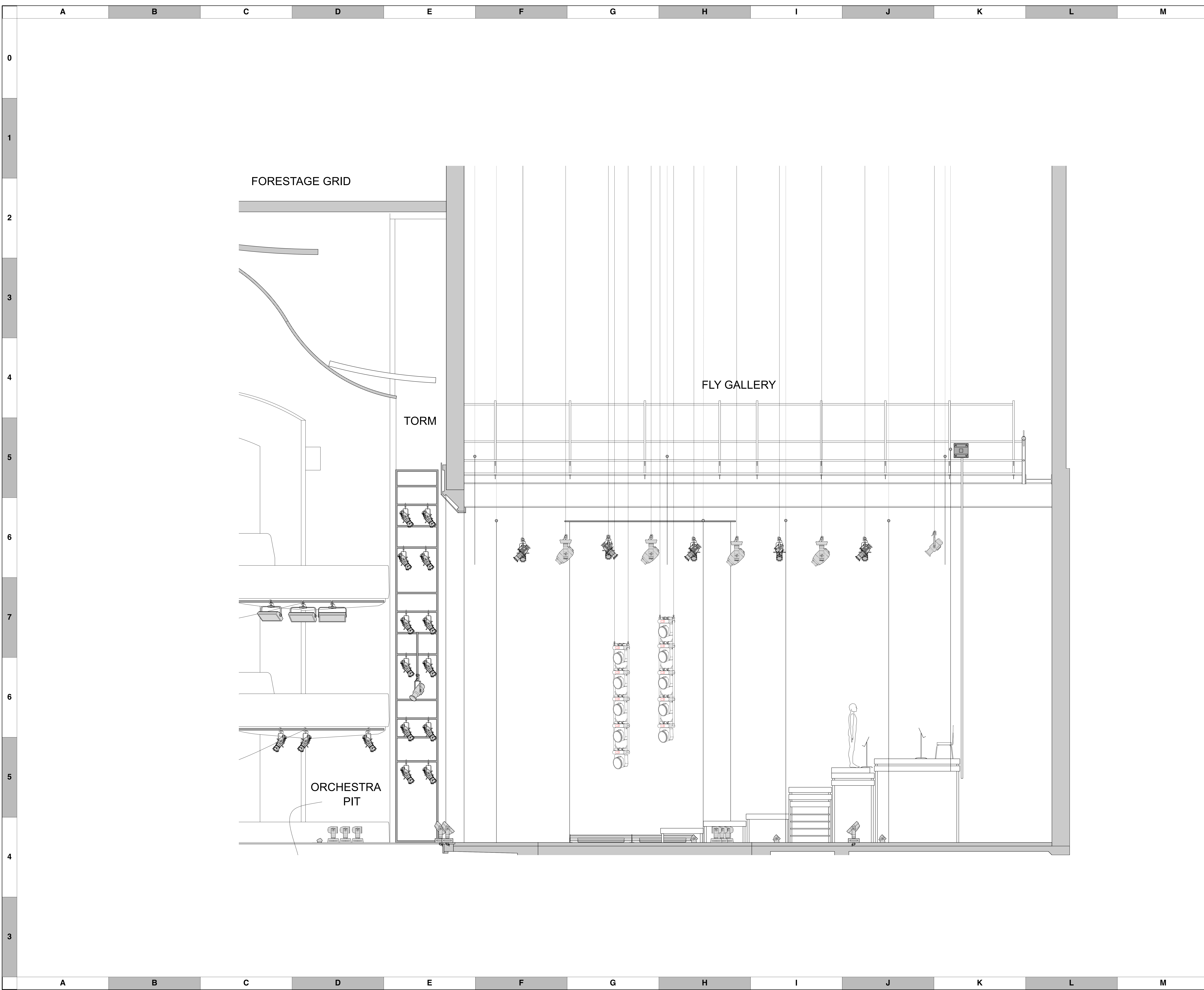
PRODUCTION STAFF

DIRECTOR:
LIGHTING DESIGNER:
SCENIC DESIGNER:
TECHNICAL DIRECTOR:
HEAD ELECTRICIAN:

COBB ENERGY PERFORMING ARTS CENTER
APRIL 2026

SCALE **3/8" = 1'** DWG NUMBER **L04**

PG SIZE ARCH E OF 1



KEY TO INSTRUMENTATION

	ETC 54-10°	44
	ETC 54-19°	60
	ETC 54-26°	36
	ETC 54-36°	20
	ETC 54-50°	2
	ETC 54-19° LED Lustr II	1
	ETC 54-26° LED Lustr II	6
	ETC 54-36° LED Lustr II	2
	ETC 54 Par (WFL)	104
	Elation KL Panel	18
	Chauvet R2 Wash	7
	Sharp	12
	Mac Quantum Wash	20
	Mac Encore Perf CLD	10
	Mac Ultra Perf	21
	L&E MiniStrip	7
	Colorforce II 72	10
	Dalis B64	2

LEGEND

FOCUS	FOCUS	FOCUS
COLOR	COLOR	COLOR
CLER	CLER	CLER

ABBREVIATIONS:

- K = Key
- S = Apollo
- GP = GPO
- TD = Tech Director
- LD = Lighting Designer

LEGEND

LENS	LENS	LENS
TEMPLATE	TEMPLATE	TEMPLATE
UNIT #	UNIT #	UNIT #
ENGINE TYPE	ENGINE TYPE	ENGINE TYPE
CHANNEL #	CHANNEL #	CHANNEL #



REVISION HISTORY

NO.	REVISION	DATE	BY
1	REV1	4/1/26	MS

2026 SHULER AWARDS

PRODUCTION STAFF

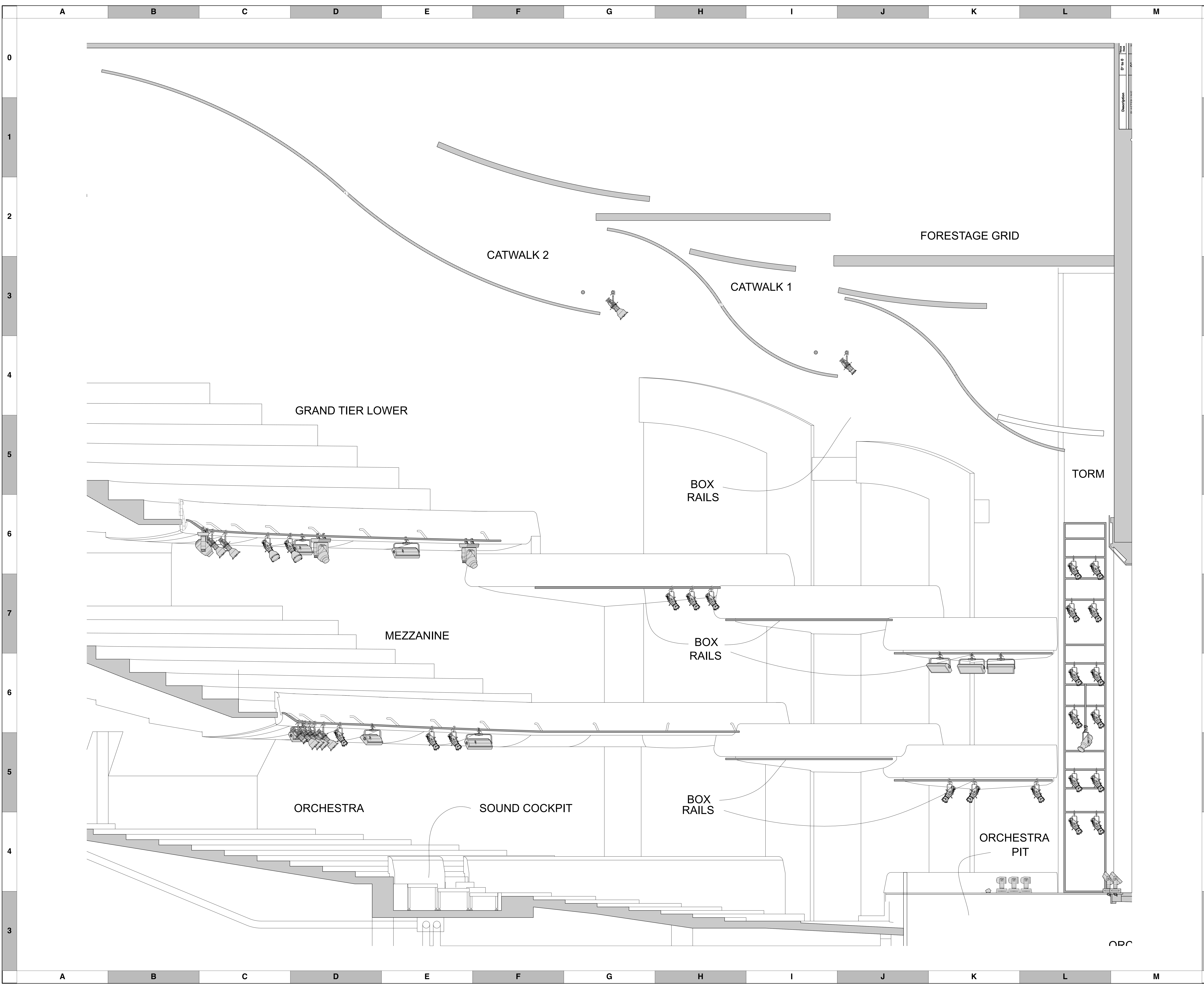
DIRECTOR:
 LIGHTING DESIGNER:
 SCENIC DESIGNER:
 TECHNICAL DIRECTOR:
 HEAD ELECTRICIAN:

COBB ENERGY PERFORMING ARTS CENTER
 APRIL 2026

SCALE 3/8" = 1'
 PG SIZE ARCH E

DWG NUMBER
L05
 OF 3

LIGHTING SECTION
 The Contents



KEY TO INSTRUMENTATION

	ETC 54-10°	44
	ETC 54-19°	60
	ETC 54-26°	36
	ETC 54-36°	20
	ETC 54-50°	2
	ETC 54-19° LED Lustr II	1
	ETC 54-26° LED Lustr II	6
	ETC 54-36° LED Lustr II	2
	ETC 54 Par (WFL)	104
	Elation KL Panel	18
	Chauvet R2 Wash	7
	Sharp	12
	Mac Quantum Wash	20
	Mac Encore Perf CLD	10
	Mac Ultra Perf	21
	L&E MiniStrip	7
	Colorforce II 72	10
	Dalis B64	2

LEGEND

FOCUS	FOC
COLOR	CLR
LENS	
TEMPLATE	
UNIT #	5
ENGINE TYPE	
CHANNEL #	

ABBREVIATIONS:
 S = Soft
 A = Apollo
 GP = Galleon
 L = Lustr
 T = Truss
 LD = Lighting Design



REVISION HISTORY

NO.	REVISION	DATE	BY
1	REV 1	4/1/26	MS

2026 SHULER AWARDS

PRODUCTION STAFF
 DIRECTOR:
 LIGHTING DESIGNER:
 SCENIC DESIGNER:
 TECHNICAL DIRECTOR:
 HEAD ELECTRICIAN:

COBB ENERGY PERFORMING ARTS CENTER
 APRIL 2026

SCALE 3/8" = 1'
 PG SIZE ARCH E
L06
 OF 3

LIGHTING SECTION FOH
 The Contents